



# DTEN Vue Pro PRODUCT GUIDE

Thanks for choosing DTEN



# DTEN Vue Pro Product Guide

## What's in the Box

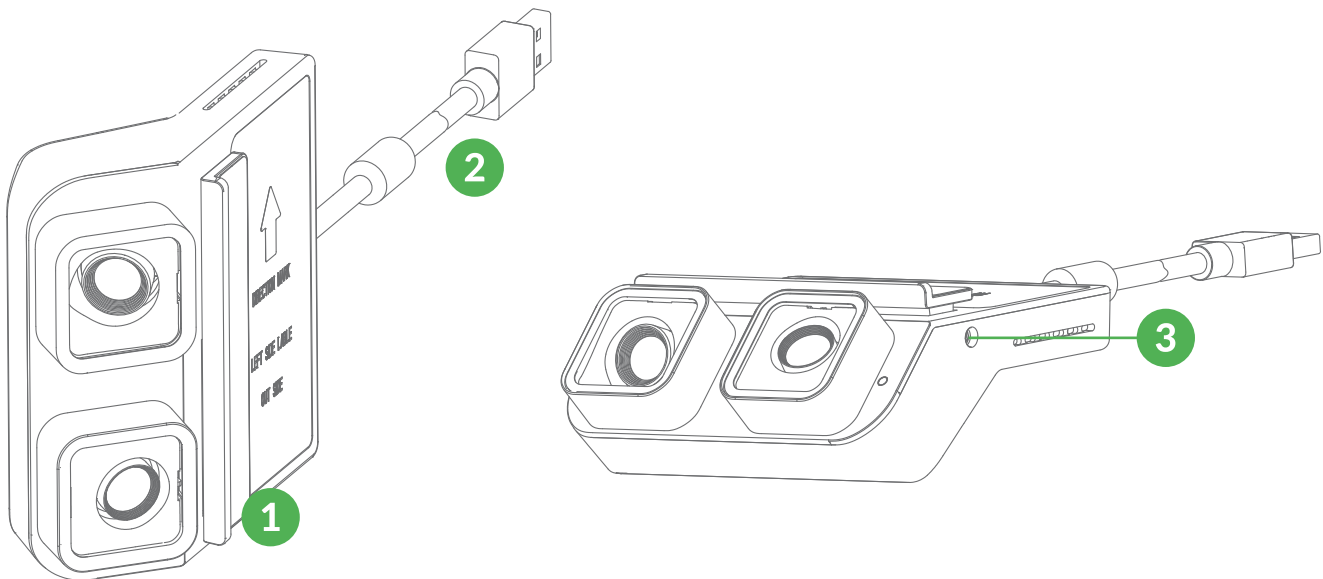
---

1. Vue Pro camera x 2
2. Mounting clip x 4
3. Mounting tape x 4
4. Mounting Plate x 2
5. Screwdriver

## What's What

---

1. Mounting bracket
2. USB connection cable
3. Angle locking thread



# DTEN Vue Pro Product Guide

## DTEN Vue Coverage Range

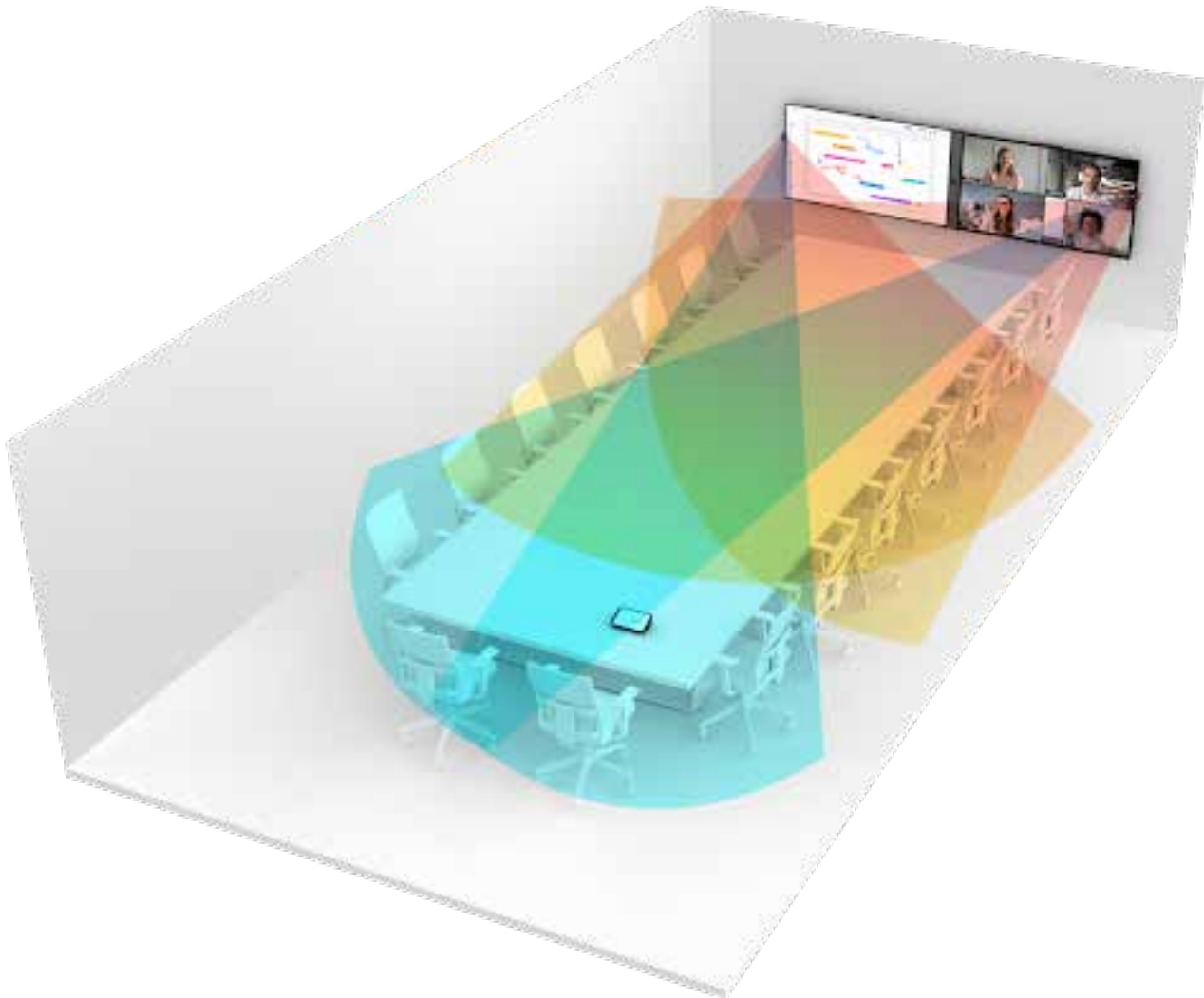
---

### See Everyone Clear

DTEN Vue Pro is designed for wide range of Room size from huddle to Large.

With a pair of mid-range and telephoto lenses positioned at carefully designed angles on each side of the TV, it provides a combined 160 degrees of horizontal coverage and great clarity with people further away.

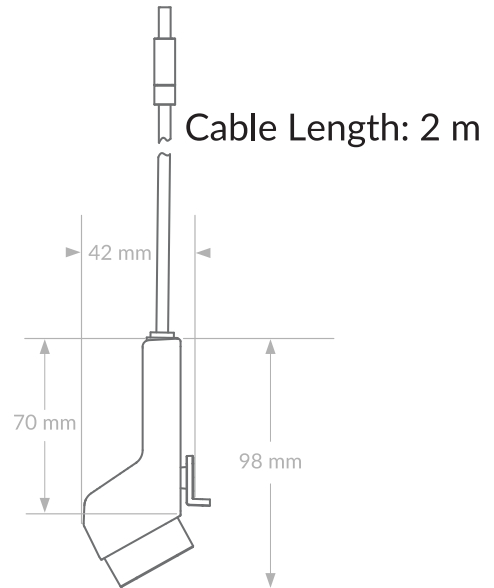
Each camera's 4:3 sensor allows for additional headroom, enabling vertical space adjustment as needed.



# DTEN Vue Pro Product Guide

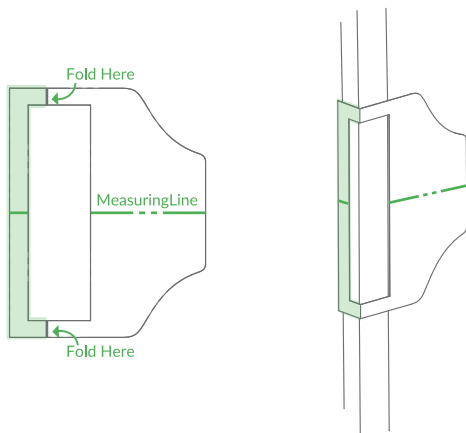
## Mounting Guide

Recommended mounting height: 5 ft (1.5m)



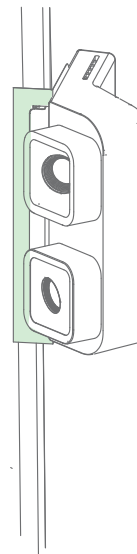
### Step 1

Measure the height and install the Mounting Template



### Step 2

Peel the double side tape and install the Vue Pro camera

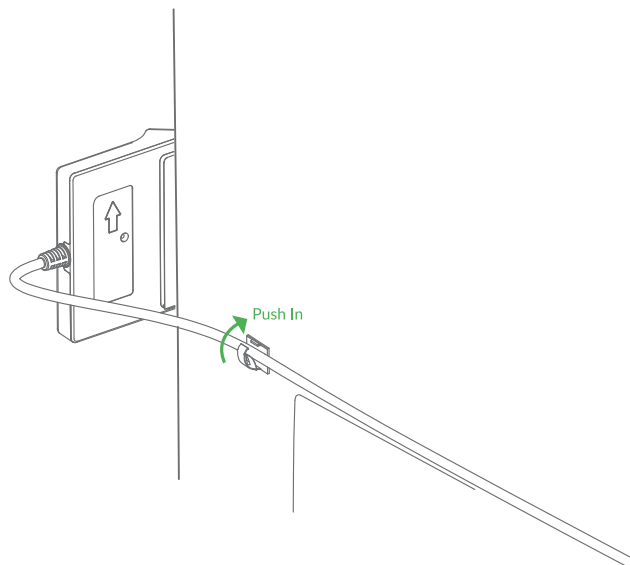


# DTEN Vue Pro Product Guide

## Mounting Guide

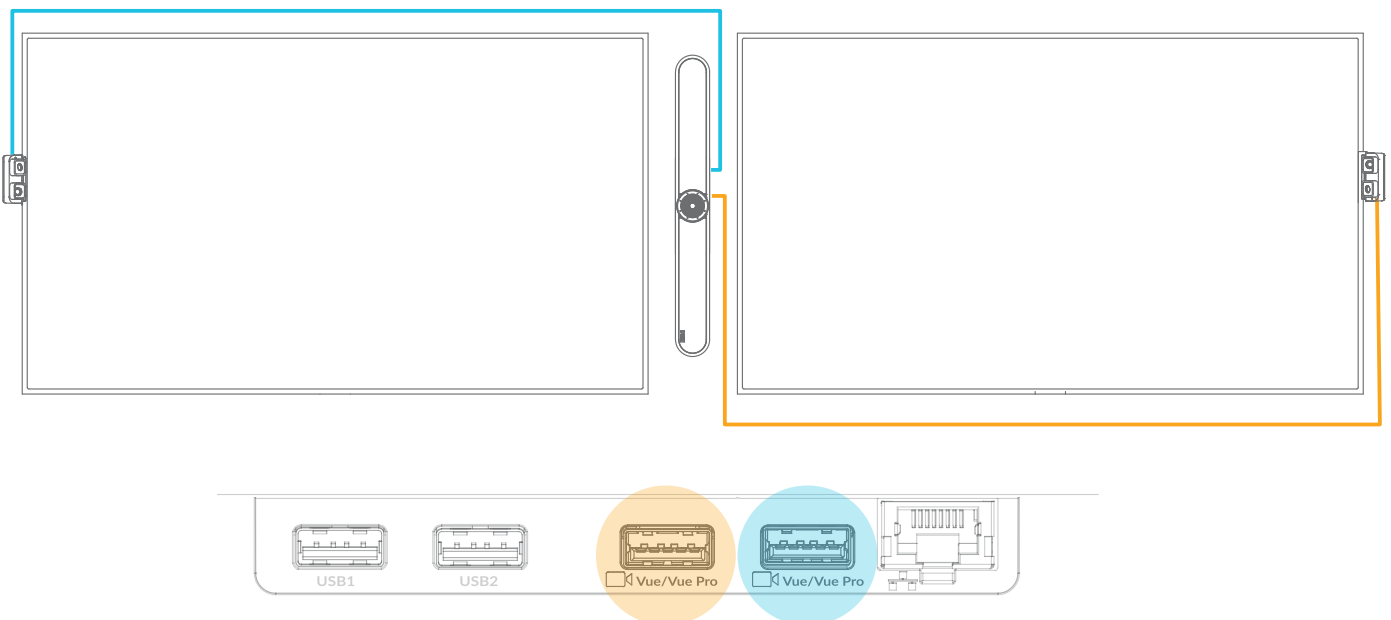
### Step 3

Install the clip on the back of the TV and push to lock the cable in place. This step help to secure the mount with any TV.



### Step 4

Connect the cable to the Bar



# DTEN Vue Pro Product Guide

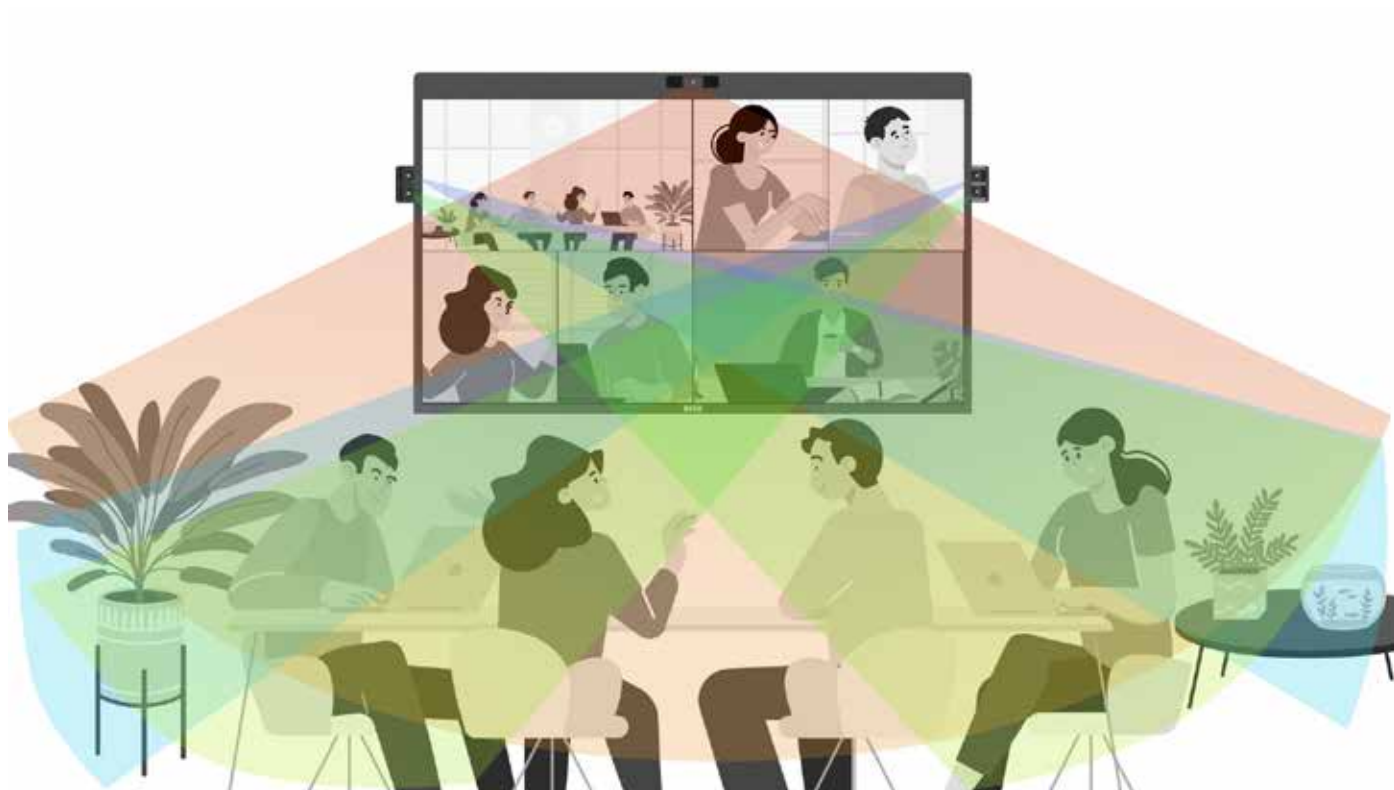
## Camera Mode

### Multi-Camera mode

Multi-Camera mode allows you to enable both the Vue cameras and the main cameras simultaneously from a single conference room.

Enabling this mode will disable all automatic framing, including autoframing (which crops to see the whole group) and Smart Gallery (which crops each individual and places them into their own frame). However, you will have manual PTZ control and the ability to preset each camera.

### How to enable Multi-Camera Mode



# DTEN Vue Pro Product Guide

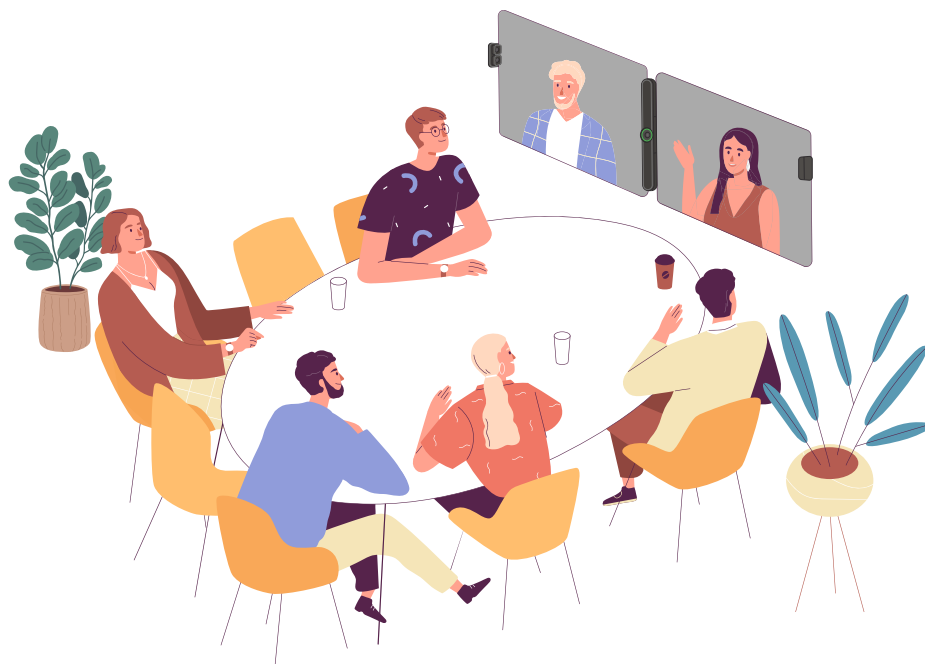
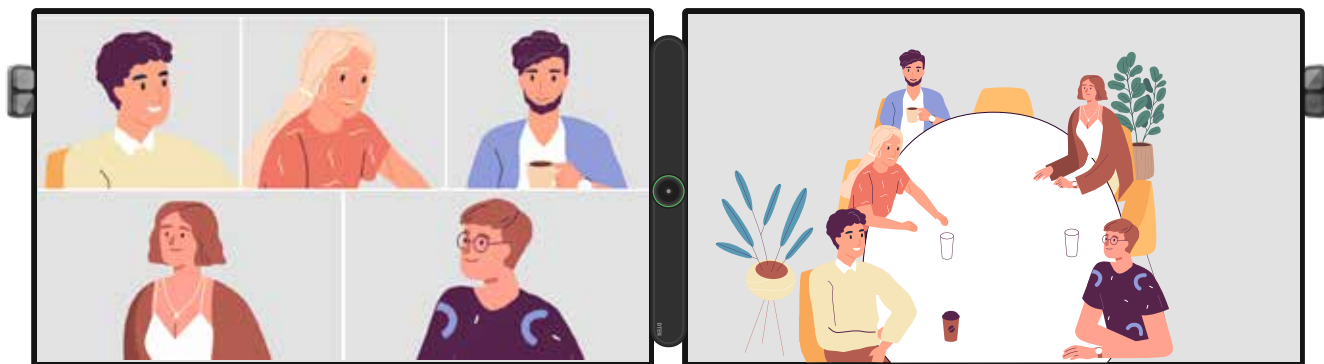
## Camera Mode

### Smart Gallery( Multi-Stream) mode

Smart gallery mode allow multiple video feeds from a single conference room and use cutting edge AI to create individual video feeds of in-room participant.

Enabling this mode unleash the full potential of Vue camera with seamless framing and capturing participants with great clarity, whether they are sitting at the front, middle, or back of the room.

### How to Enable Smart Gallery



# DTEN Vue ProProduct Guide

## Composite View

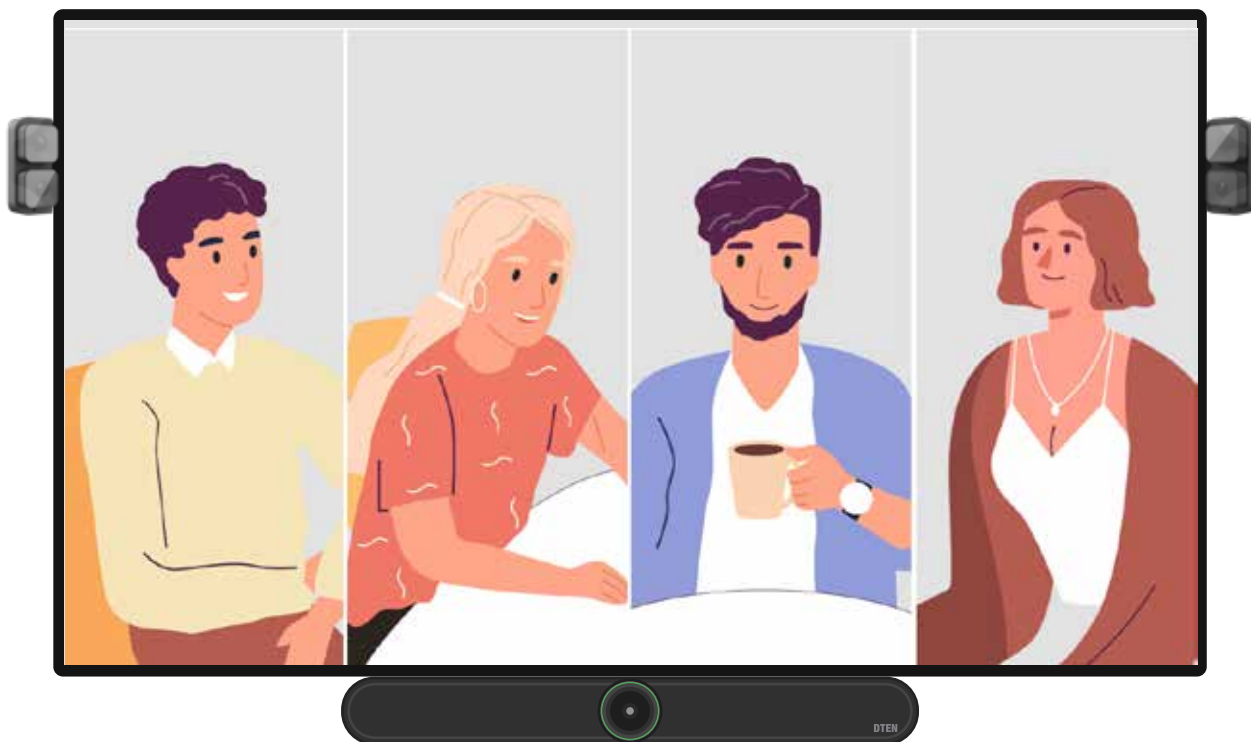
---

### Smart Gallery( Multi-Stream) mode

Composite view in Team share the same concept to achieve meeting equality using cutting edge AI to create individual video feeds of in-room participant.

Activating this mode providing seamless framing and capturing participants with excellent clarity, regardless of their position in the room.

### How to Enable Composite View

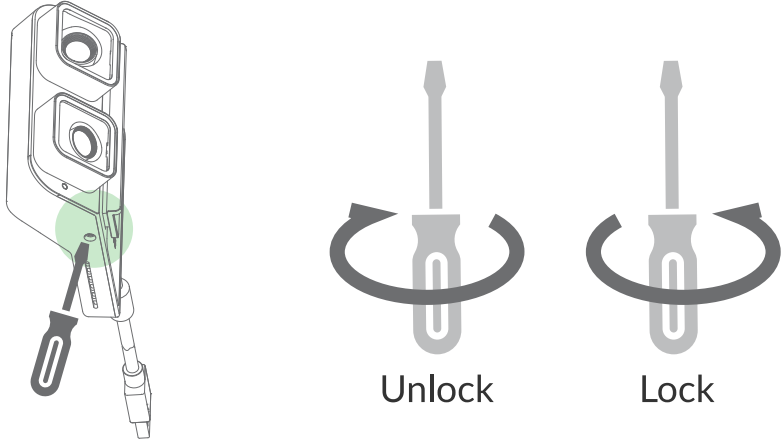


# DTEN Vue Pro Product Guide

## Camera Setting

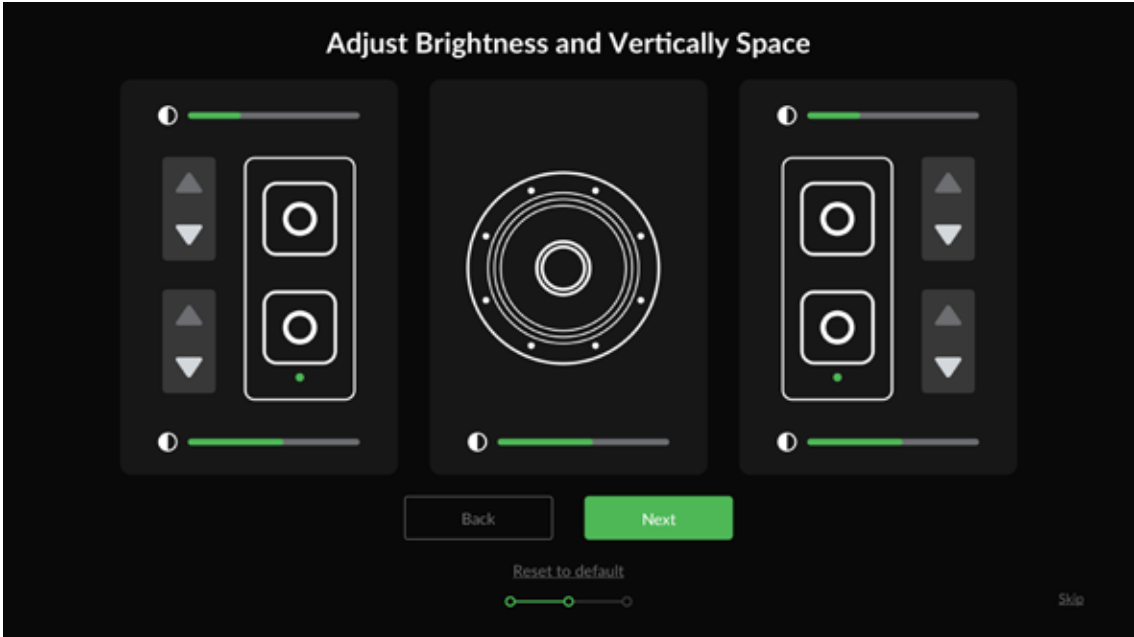
### Angle Adjustment

DTEN Vue allow +/- 11 degree of adjustment.



### Vertical Space and Brightness Adjustment

Access the DTEN menu to adjust the headroom and brightness of each camera.



# DTEN Vue Pro Product Guide

## Mounting Height Table

For the best experience at eye level, we recommend mounting cameras at a height between 1.4 and 1.6 meters. This range ensures the camera is positioned close to eye level, which facilitates more natural and engaging interactions. For aesthetic alignment, we suggest positioning the camera at the Golden Ratio, enhancing both the functionality and appearance of the setup. Below, you'll find detailed guidance on mounting heights tailored to various TV sizes, ensuring clarity and consistency in installation across different environments.

TV Size (in)	TV Center Height		Bottom of TV Height		Camera Mounting Height	
	in	mm	in	mm	in	mm
43	52	1350	41.5	1082	54.5	1414
	54	1400	43.5	1132	56.5	1464
	56	1450	45.5	1182	58.5	1514
	58	1500	47.5	1232	60.5	1564
	60	1550	49.5	1282	62.5	1614

TV Size (in)	TV Center Height		Bottom of TV Height		Camera Mounting Height	
	in	mm	in	mm	in	mm
65	52	1310	36.1	905	55.8	1406
	54	1360	38.1	955	57.8	1456
	56	1410	40.1	1005	59.8	1506
	58	1460	42.1	1055	61.8	1556
	60	1510	44.1	1105	63.8	1606

TV Size (in)	TV Center Height		Bottom of TV Height		Camera Mounting Height	
	in	mm	in	mm	in	mm
50	52	1330	39.7	1019	54.9	1404
	54	1380	41.7	1069	56.9	1454
	56	1430	43.7	1119	58.9	1504
	58	1480	45.7	1169	60.9	1554
	60	1530	47.7	1219	62.9	1604

TV Size (in)	TV Center Height		Bottom of TV Height		Camera Mounting Height	
	in	mm	in	mm	in	mm
75	52	1290	33.6	822	56.3	1401
	54	1340	35.6	872	58.3	1451
	56	1390	37.6	922	60.3	1501
	58	1440	39.6	972	62.3	1551
	60	1490	41.6	1022	64.3	1601
	62	1540	43.6	1072	66.3	1651

TV Size (in)	TV Center Height		Bottom of TV Height		Camera Mounting Height	
	in	mm	in	mm	in	mm
55	52	1320	38.5	978	55.2	1401
	54	1370	40.5	1028	57.2	1451
	56	1420	42.5	1078	59.2	1501
	58	1470	44.5	1128	61.2	1551
	60	1520	46.5	1178	63.2	1601

TV Size (in)	TV Center Height		Bottom of TV Height		Camera Mounting Height	
	in	mm	in	mm	in	mm
86	50	1280	28.9	744	55.0	1406
	52	1330	30.9	794	57.0	1456
	54	1380	32.9	844	59.0	1506
	56	1430	34.9	894	61.0	1556
	58	1480	36.9	944	63.0	1606
	60	1530	38.9	994	65.0	1656

TV Size (in)	TV Center Height		Bottom of TV Height		Camera Mounting Height	
	in	mm	in	mm	in	mm
65	52	1310	36.1	905	55.8	1406
	54	1360	38.1	955	57.8	1456
	56	1410	40.1	1005	59.8	1506
	58	1460	42.1	1055	61.8	1556
	60	1510	44.1	1105	63.8	1606

TV Size (in)	TV Center Height		Bottom of TV Height		Camera Mounting Height	
	in	mm	in	mm	in	mm
98	46	1160	22.0	550	51.7	1305
	48	1210	24.0	600	53.7	1355
	50	1260	26.0	650	55.7	1405
	52	1310	28.0	700	57.7	1455
	54	1360	30.0	750	59.7	1505
	56	1410	32.0	800	61.7	1555
	58	1460	34.0	850	63.7	1605